

# PiMag<sup>®</sup> Water System

## Quick Reference Sheet



### PiMag Water System

**The PiMag Water System transforms normal tap water into refreshing and invigorating water of exceptional quality.**

#### The Facts

- Nikken based its evaluation of domestic water treatment on the premise that good water involves more than just a lack of impurities. It should provide sparkling clear, good tasting water, while retaining beneficial minerals in a magnetic environment. The PiMag Water System meets each of these requirements.
- The Ceramic Filter reduces the presence of particulates such as soils, clays and foreign materials to a range of 0.2 to 0.5 microns. It also imparts far-infrared energy to increase the bio-availability of the water.
- The Filter Cartridge reduces residual chlorine, unpleasant odours, trihalomethanes (THMs), lead and other heavy metals. Fluoride is not removed. The top stage of the filter cartridge contains activated carbon to reduce chemical contaminants, and an ion exchange resin to reduce heavy metals. The second stage is pure activated carbon to further reduce chemical contaminants, while the final stage contains Silver/Copper impregnated Zeolite to provide an antibacterial action plus additional contaminant absorption.
- A Silver Stone Cartridge placed in the lower storage tank contains silver impregnated mineral stones that provide an anti-bacterial effect to preserve the quality of the water.
- Mineral Stones surrounding the Silver Stone Cartridge contain calcium, magnesium, silicon, iron, phosphorous and others that help maintain a balanced range of minerals which contribute to good health. The stones also help adjust the pH to mildly alkaline.
- The PiMag Water System adds a fourth dimension by delivering water through a high field strength (1,200 gauss) magnetic tube attached to the top of the lower storage tank.
- A special anti-bacterial resin is used in the plastic material of the upper tanks.
- The storage tank of the PiMag Water System holds 15 litres of water.



#### Features

- **Ceramic Filter**
- **Filter Cartridge**
- **Silver Stones**
- **Mineral Stones**
- **1,200 gauss magnetic tube**
- **Versatile design**
- **No plumbing required**
- **Large 15 litre capacity**
- **Highly economical**
- **Convenience**

#### Benefits

- Sub-micron filtration
- Reduces chlorine, odours, chemical contaminants
- Preserve water quality
- Help maintain a balanced range of minerals and help regulate pH
- Energises the water
- For home, office, factory, or school
- Easy installation and convenience of location
- Means a never ending supply by simply "topping-up" with normal tap water
- Pristine quality water at just a few cents/litre and substantially less than the cost of bottled or delivered water.
- Eliminates bottle delivery, heavy lifting, and bottle storage.

## Product Information

### Item Code

- # 300 PiMag Water System
- Replacement Filters:-
- # 301 Filter Cartridge
- # 302 Ceramic Filter
- # 303 Silver Stone Cartridge
- # 304 Mineral Stones (2 x 700g Pks)

### Featured Technology

Nikken PiMag Water Technology

### Specifications

#### Dimensions and Weight

Base Diameter: 340mm  
Height: 700mm  
Weight: 8.0 kg

#### Water capacity

Lower storage tank: 15 litres

### Care Instructions

Refer to Product Information Guide that comes with unit for important care instructions.

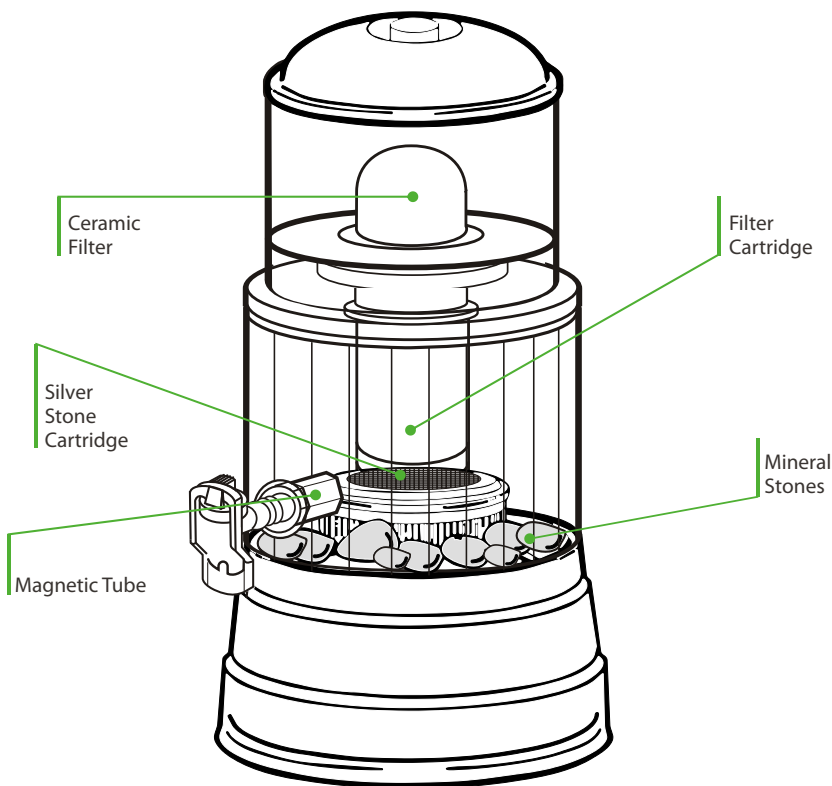
This system is unsuitable for use with bore, dam or tank water due to possible high levels of particulates that would rapidly clog filters and reduce the flow rate. Possible bacterial contamination would also be of concern.

## Hints & Tips

- Replace the following components as recommended for optimal performance.
  - # 301 Filter Cartridge - every six months or 2,000 litres of water whichever occurs first.
  - # 302 Ceramic Filter - every two years. Earlier replacement may be necessary in areas containing high levels of particulates.
  - # 303 Silver Stone Cartridge - every year to help maintain its anti-bacterial effectiveness.
  - # 304 Mineral Stones - every five years.
- The PiMag Optimizer II takes PiMag water to a whole new level of excellence by adding oxygen and breaking down the size of clusters of water molecules to increase its bio-availability to the body. Contact your Nikken Wellness Consultant for further information.

## Warranty Information

The magnetic tap assembly of the lower storage tank is covered by a replacement warranty for a period of 12 months from the date of purchase against faulty materials and workmanship.



### Safety Information

- Make sure you read all care information contained in the Product Information Guide supplied with this product. Only fill with microbiologically safe drinking water (treated public water supply).
- Nikken Wellness has no information that the water supply in your area has any water problems implied or referred to in this brochure or other communication materials.



NIKKEN WELLNESS HOME